

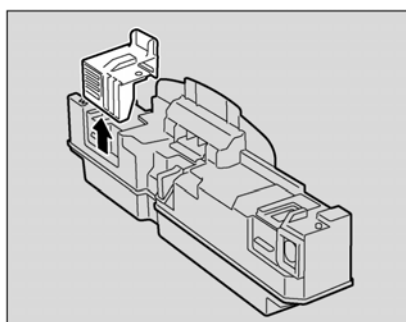
Waste Toner Box Packaging Instructions

- **Waste Toner Box for bizhub C250/C250P/C252/C300/C352/C352P:**

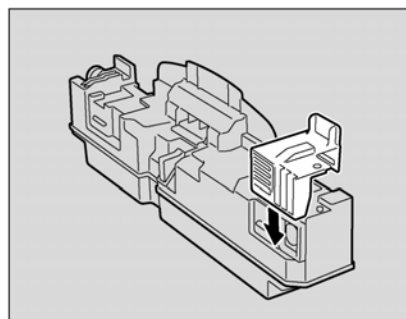
After installing the new waste toner box, keep the carton box and the plastic bag that the new waste toner box came in. Place the used waste toner box in the plastic bag, and then enclose in the carton box.

- **Waste Toner Box for bizhub C351/C450/C450P:**

1. Remove the cap from the used waste-
toner box.



2. Attach the removed cap to the toner inlet
of the new waste-toner box.



3. After installing the new waste toner box,
keep the carton box and the plastic bag
that the new waste toner box came in.
Place the used waste toner box in the
plastic bag, and then enclose in the
carton box.